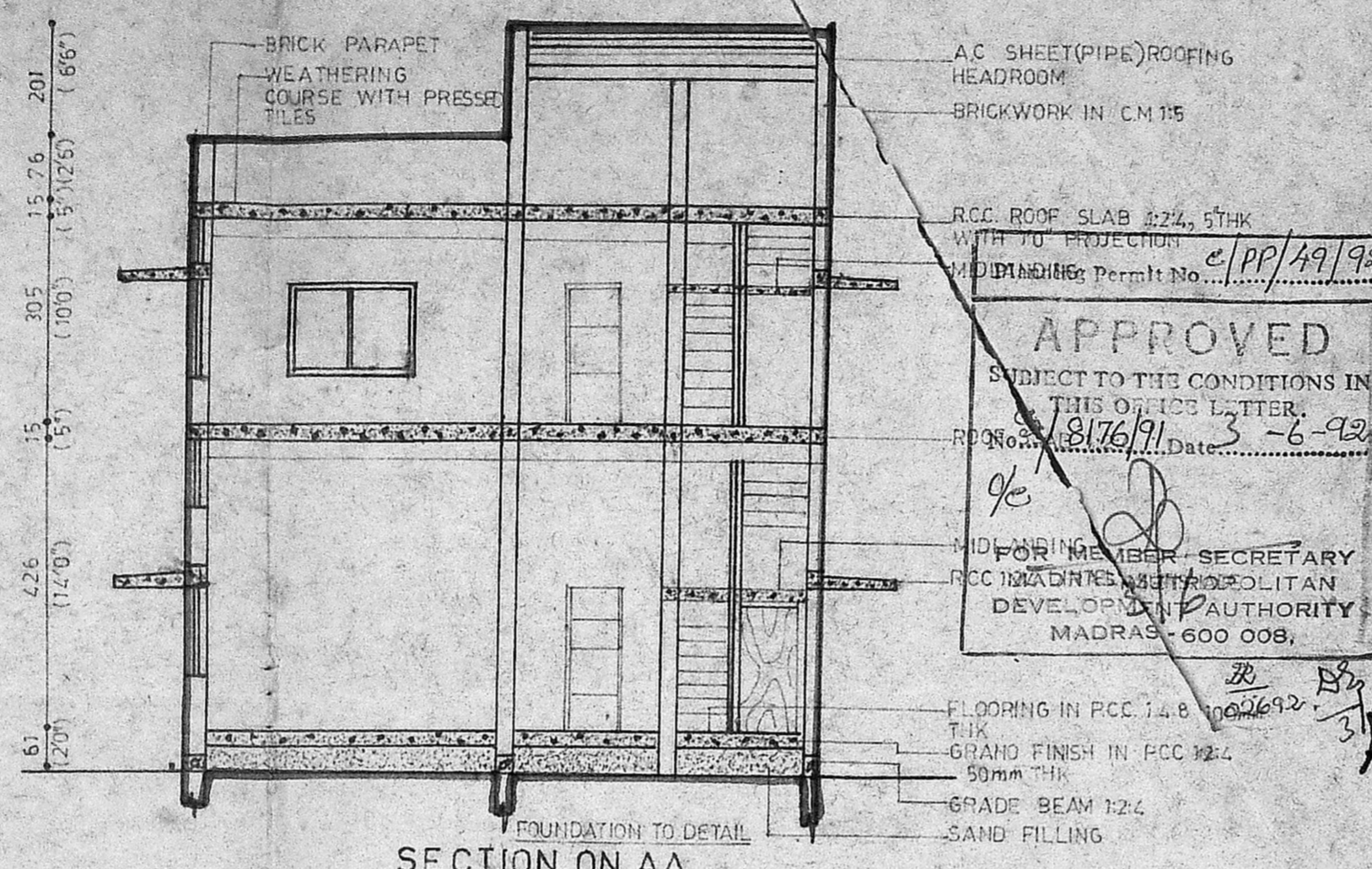
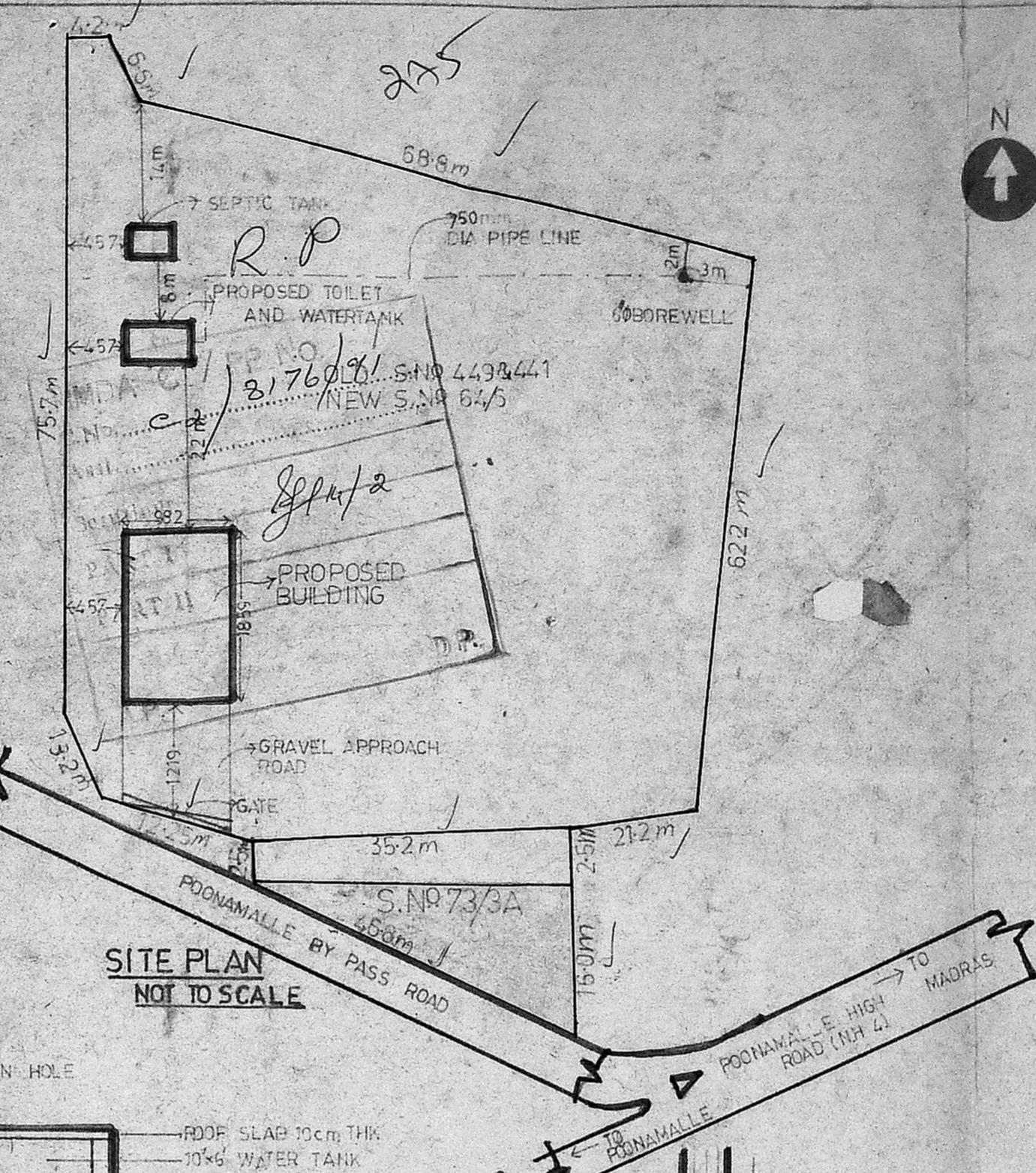


FRONT ELEVATION



SECTION ON AA



SITE PLAN  
NOT TO SCALE

PLAN SHOWING THE PROPOSED BUILDING FOR MANUFACTURE OF TURMERIC AND KUMKUM POWDER IN NEW S.No 64/6 SENNEERKUPPAM VILLAGE POONAMALLEE, MADRAS 56. (old S.No 449&441)

**SPECIFICATION**  
 FOUNDATION+BASEMENT+FLOORING CONCRETE 1:4:8 USING 40mm METAL  
 BRICKWORK IN FOOTING+BASEMENT+ SUPER-STRUCTURE IN CM 1:5.  
 PLASTERING IN CM 1:5, CEILING PLASTER 1:3.  
 ALL RCC WORK IN 1:2:4 MIX WITH RTS  
 FLOOR FINISH WITH PCC 1:4:8 100mm THK, GRANO FINISH.  
 PAINTING THREE COAT WITH CEMENT PAINT

**SCHEDULE OF JOINERY**

D	DOOR	100x214
D <sub>1</sub>	-do-	90x214
W	WINDOW	244x137
V	VENTILATOR	244x61
W <sub>1</sub>	-do-	182x137
V <sub>1</sub>	-do-	182x61
W <sub>2</sub>	-do-	200x137
V <sub>2</sub>	-do-	200x61
W <sub>3</sub>	WINDOW	61x137
V	VENTILATOR	137x61

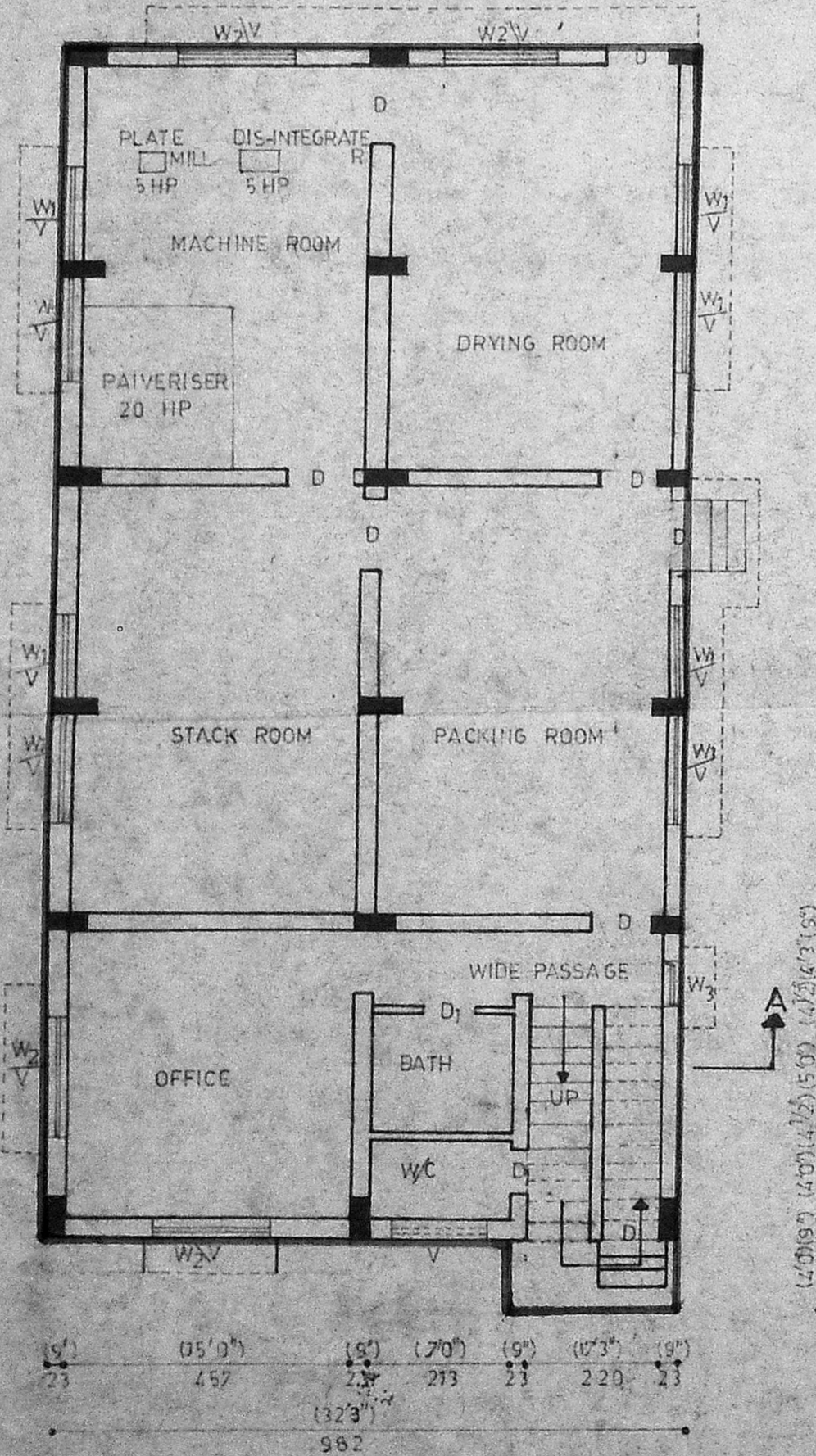
**REFERENCE**

PROPOSED	
ROAD	
BOUNDARY	

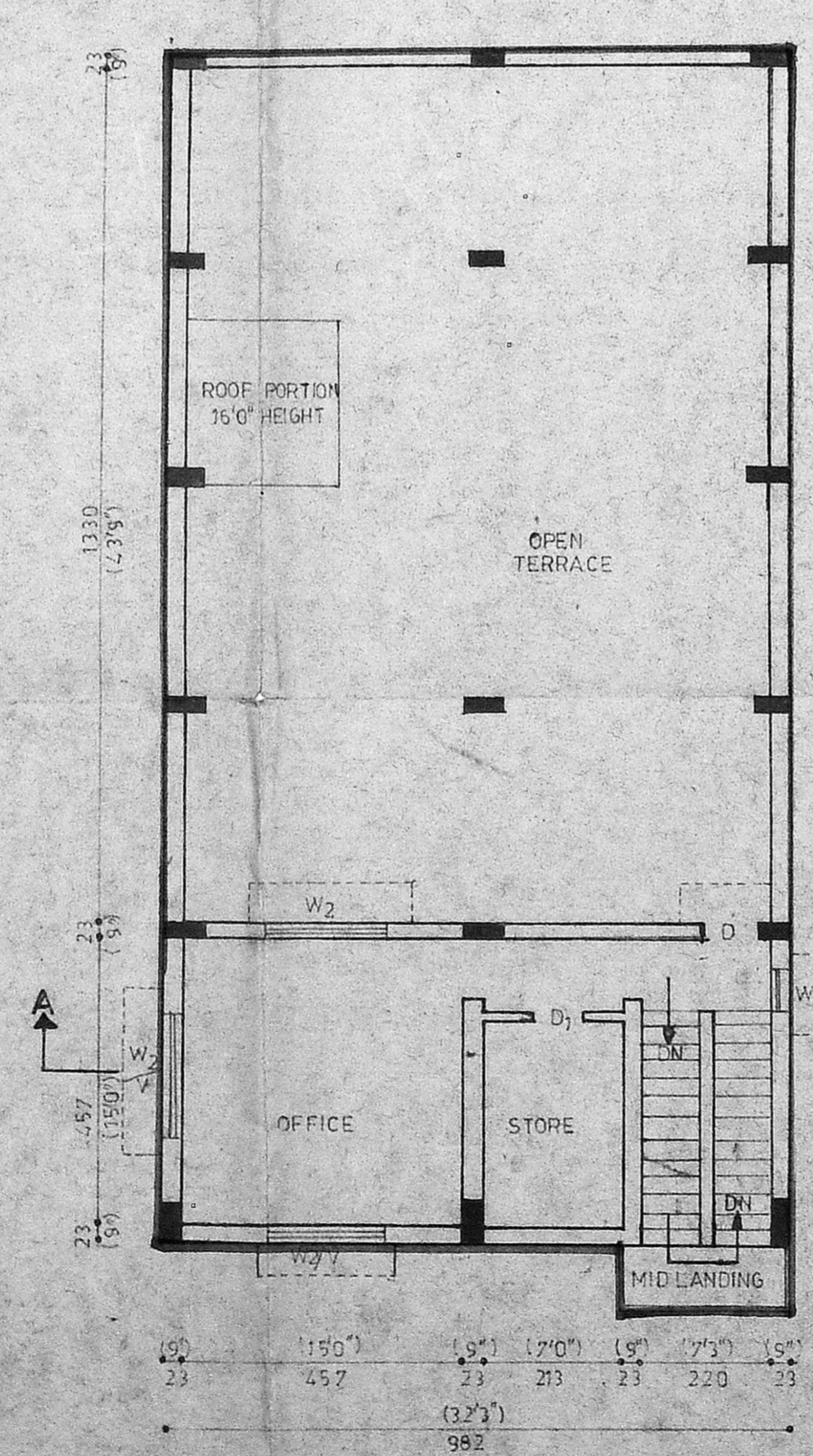
SCALE 1:100  
NOTE-ALL DIMENSIONS ARE IN CM.

**EXTENT OF LAND**

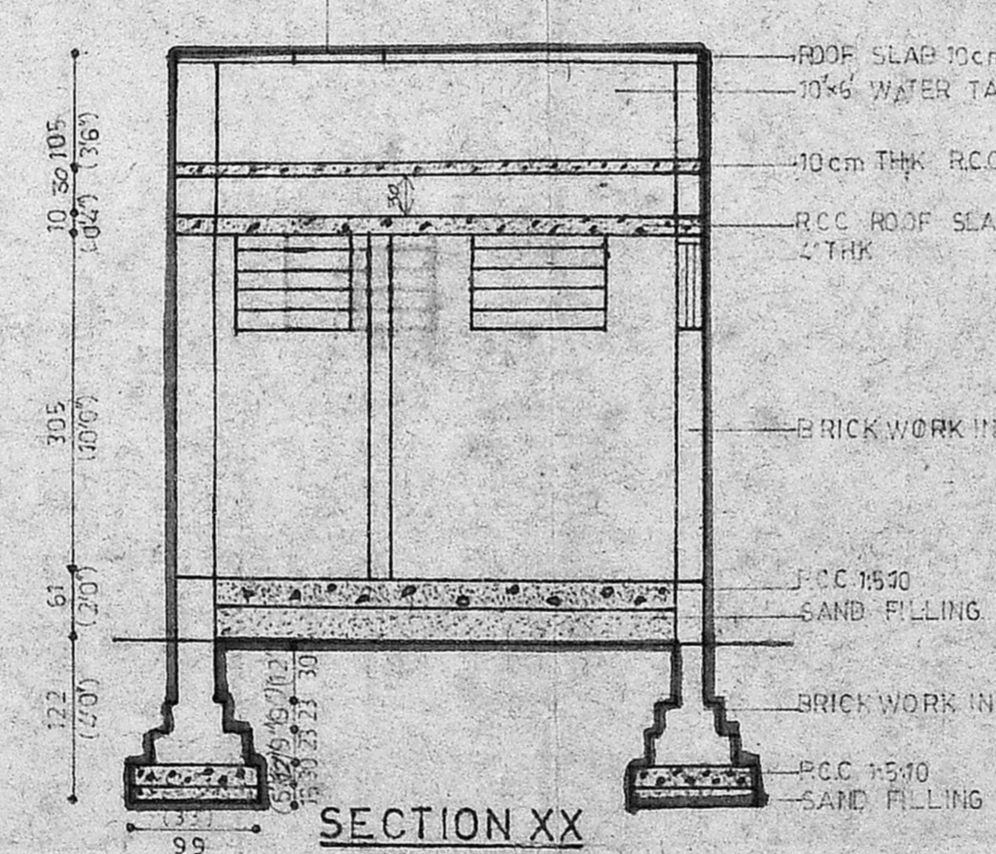
S.No 64/6	1.34 Acres
S.No 73/3A	0.08 Acres
<b>Total</b>	<b>1.42 Acres</b>



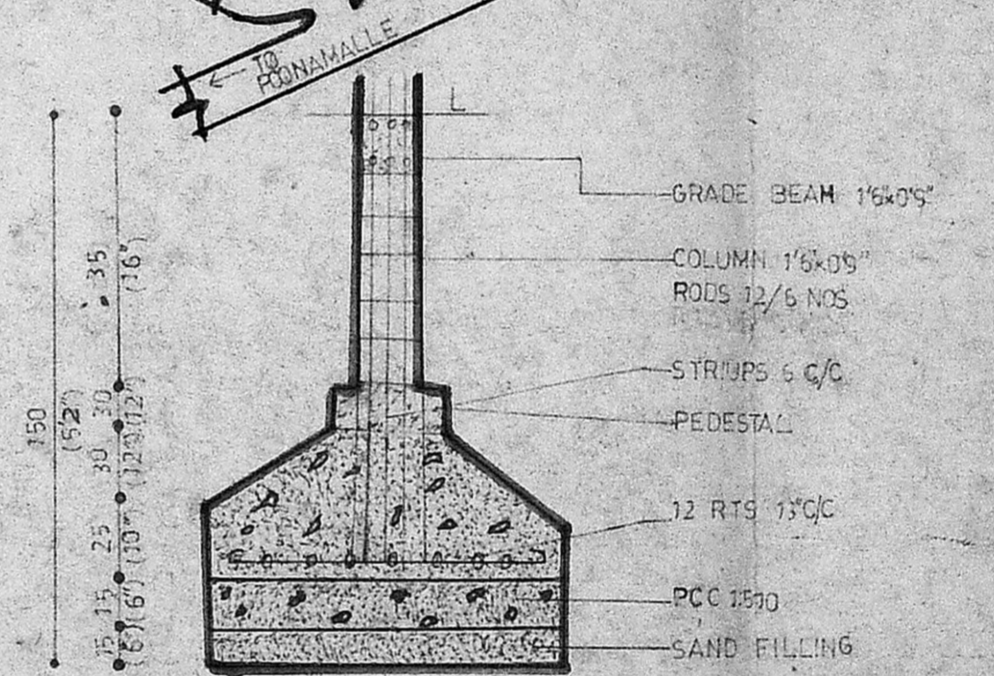
GROUND FLOOR PLAN



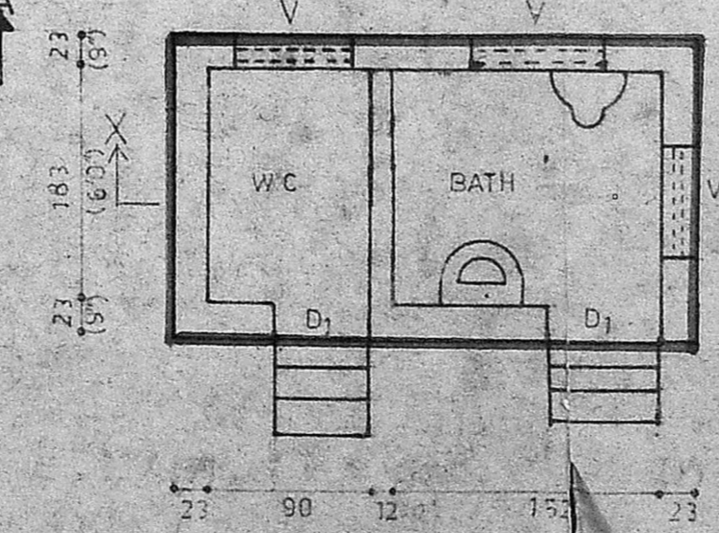
FIRST FLOOR PLAN



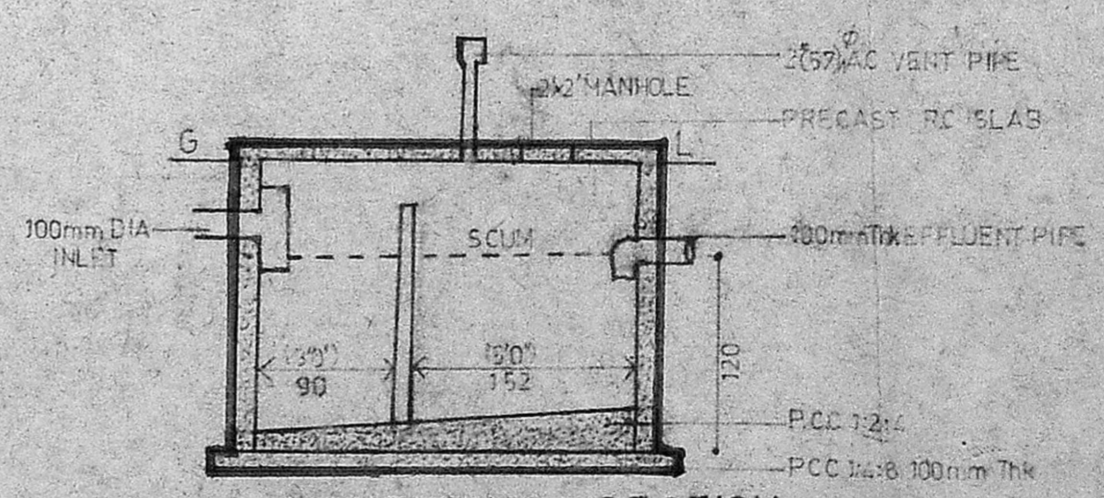
SECTION XX



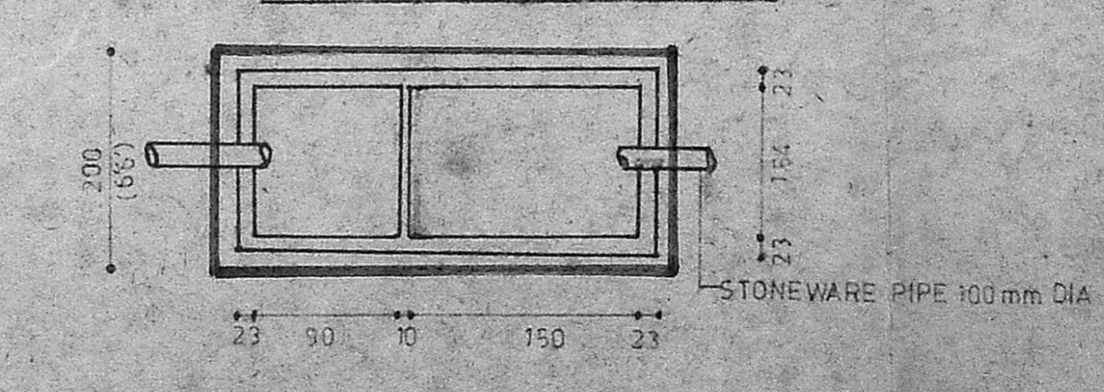
DETAIL OF COLUMN FOOTING



PLAN OF TOILET  
SCALE 1/50



LONGITUDINAL SECTION



PLAN OF SEPTIC TANK  
SCALE 1:50

OWNER Y. Krishnakumari.

ER. V. SRINIVASALI, L.C.E.  
Asst. Executive Engineer (Retd)  
Consulting Civil Engineer  
REGD. No. 270  
CLASS I LICENSED SURVEYOR  
CORPORATION OF MADRAS  
No. 60, Valluvar Road  
ARUMBAKKAM, MADRAS-108

LICENSED SURVEYOR